



Sheetseal 226

RIW Sheetseal 226 is a cold applied, high density polyethylene film, coated with a bitumen/rubber self adhesive layer with a removable reinforced silicone paper.

RIW Sheetseal Primer is a bitumen solution.

BENEFITS

- Water and water vapour barrier
- Factory controlled thickness
- Elastic and flexible
- No drying time
- Sulphate resistant
- Selvege strip to improve lap sealing

APPLICATIONS

Waterproofing and vapour proofing of:

- Basements and sub-structures
- Ground floors
- Reservoirs
- Retaining walls

APPLIED TO

- Concrete
- Masonry
- Steel
- Timber
- Insulation boards

The RIW logo consists of the letters 'RIW' in a bold, white, sans-serif font, centered within a dark blue oval with a white glow effect.

Sheetseal 226

TYPICAL USES

RIW Sheetseal 226 is typically used to provide a water and water vapour barrier in all forms of construction, particularly where large unobstructed areas are to be treated. Typical installations include floor waterproofing, retaining walls and similar uncluttered surfaces.

When designing Type A structures (as classified in BS 8102 : 1990), the product applied correctly, is capable of providing the levels of protection required for Grades 1, 2, 3 & 4 basements.

RIW Sheetseal Primer is used on all vertical or inclined surfaces to aid adhesion of the RIW Sheetseal 226.

DURABILITY

Subject to normal conditions of use RIW Sheetseal 226 will provide an effective barrier to the transmission of liquid water and water vapour for the life of the structure.

The membrane is not designed for permanent exposure and must always be protected by a screed, paving slabs, insulation, etc.

SPECIFICATION

J40 - Flexible Sheet Tanking / Damp Proofing, in accordance with NBS Clause 190.

Please consult RIW Ltd. for further information.

INDEPENDENT AUTHORITY

RIW Sheetseal 226 has been awarded British Board of Agrément Certificate No. 92 / 2817 covering use for waterproofing above, at or below ground level.

ANCILLARY PRODUCTS

RIW produce a range of ancillary products for use with RIW Sheetseal 226 which include:-

RIW Cementfill FC - Cement based waterproof fairing coat and repair mortar for filling minor holes, voids and defects.

RIW Cementfill HB - Cement based waterproof high build repair mortar for profiling and providing fillets.

RIW Double Drain - a drainage board which protects the membrane during backfilling operations, and also promotes drainage of water away from the structure.

RIW Protection Board - a 3mm bitumen impregnated board to prevent damage to the waterproof membrane during backfilling operation.

RIW Adhesive Tape - a 150mm wide double sided tape for temporarily adhering RIW Protection Board or Double Drain to the RIW membrane.

RIW Sheetseal 9000 DPC - a range of high performance polymeric dpc's, and pre-formed cavity trays, compatible for use with all RIW Limited membranes.

PERFORMANCE & COMPOSITION

RIW SHEETSEAL 226	
Form	Self Adhesive sheet
Backing material	Cross orientated polyethylene
Overall thickness	1.60mm
Applied thickness	1.50mm
Roll sizes	1050mm x 19.05m long rolls. 300mm x 20m long rolls. 150mm x 20m long rolls.
Weight	1.7kg / m ²
End laps	100mm
Side laps	50mm
Membrane strength	(ASTM D1000) 5.0 N / mm
Elongation	(ASTM D1000) 300%
Puncture Resistance	(ASTM E 154) 230 N
Adhesion - 180° Peel	(ASTM D1000) 4.0 N / mm
Water vapour transmission (ASTM E96)	< 0.3g / m ² / 24 hours
Water penetration % joint (MOAT 27-5.1.4)	NIL
Minimum application temperature	5°C

RIW SHEETSEAL PRIMER	
Form	Bitumen solution
Flash point	34°C
Coverage *	7m ² per litre / coat
Drying time	2 - 4 hours
Overcoating time	Minimum : when touch dry Maximum : 7 days

The above performance figures are typical values and should not be considered a product specification.

*Figures quoted are theoretical coverage rates. Actual coverage may vary depending on nature of substrate.

CONSTRUCTION

GENERAL

All construction should conform with the Building Regulations, Codes of Practice and British Standards in current use at the time the building is being constructed. In particular it is recommended that reference is made to BS8102 : 1990.

PREPARATION

All Surfaces : Should be smooth clean, dry (to a depth of 1 - 2mm), sound and free from frost, oil, grease, condensation and other contamination. Any voids or hollows must be made good to a flush finish with a suitable filler. Any sharp edges or high points should be eliminated. Powdery or flaking surfaces should be removed by suitable means.

Internal corners should be eased with a cement fillet (see ancillary products), approximately 20mm high to assist application, similarly, external corners should be chamfered or welded joints.

Concrete surfaces : Horizontal surfaces should preferably be smooth, however lightly tamped (3 - 4mm peak to trough profile), brushed or floated surfaces may also be acceptable.

Masonry : Should be sound with joints flush pointed or 'bagged out' with RIW Cementfill FC or similar before the membrane is applied. Open textured surfaces should be sealed with RIW Cementfill FC or a sand/cement slurry or render to provide a suitable surface. If existing surfaces are very rough, they may require rendering.

APPLICATION

General : Application of RIW Sheetseal 226 and RIW Sheetseal Primer should not be attempted in temperatures below 5°C. Apply one coat of RIW Sheetseal Primer to all vertical or inclined surfaces. The primer should be applied where required by brush, roller or spray at a coverage of approximately 7m² / litre. The primer should dry in 2 - 4 hours depending on site conditions. The primer should be covered as soon as it is dry and should not be left exposed for longer than seven days.

Vertical work should be supported immediately after application, or temporary support provided. Maximum unsupported height of membrane should not exceed 200mm.

To apply the RIW Sheetseal 226, remove the separating paper progressively from one end of the roll, and press the adhesive coated surface firmly onto the prepared substrate. Smooth out the membrane working from the centre to the edges to remove air pockets. Any remaining bubbles should be slit with a sharp knife and re-adhered. Patches of sufficient size must then be applied over the slits or any other damaged areas to maintain a minimum overlap of 100mm. A hard roller should then be used to firm down the whole area. The peel off selvedge strip should then be removed from the top edge to reveal a bitumen surface. Subsequent rolls should then be lapped onto the previous roll. Edge laps should be a minimum of 50mm wide and end laps 100mm. The overlaps should not be primed, but should be rolled with a hard roller, to ensure good adhesion.

RIW Sheetseal 226 is not designed to be left exposed and should be protected from U.V. light within 28 days of application.

Interior and exterior corners should be treated as illustrated in Detail 4 of this literature. The full membrane should then be applied.

Internal angles and corners should be covered with a 300mm strip of RIW Sheetseal 226 applied into the angle. The full membrane should then be dressed into the angle to form a triple layer as illustrated in Details 5 and 6 of this literature.

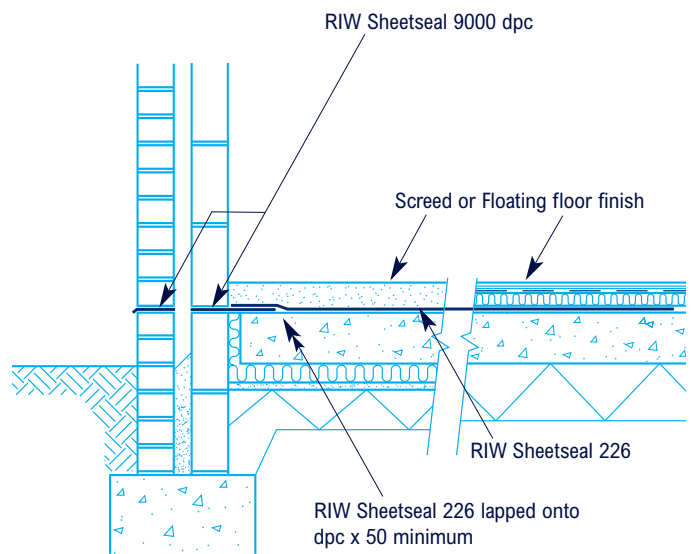
External angles should be covered with a 300mm wide strip of RIW Sheetseal 226. The full membrane is then applied ensuring that overlaps occur at the angle to give three-layer protection as illustrated in Detail 7 of this literature.

RIW Sheetseal 226 is available in 300mm wide rolls to assist in carrying out angles and projections.

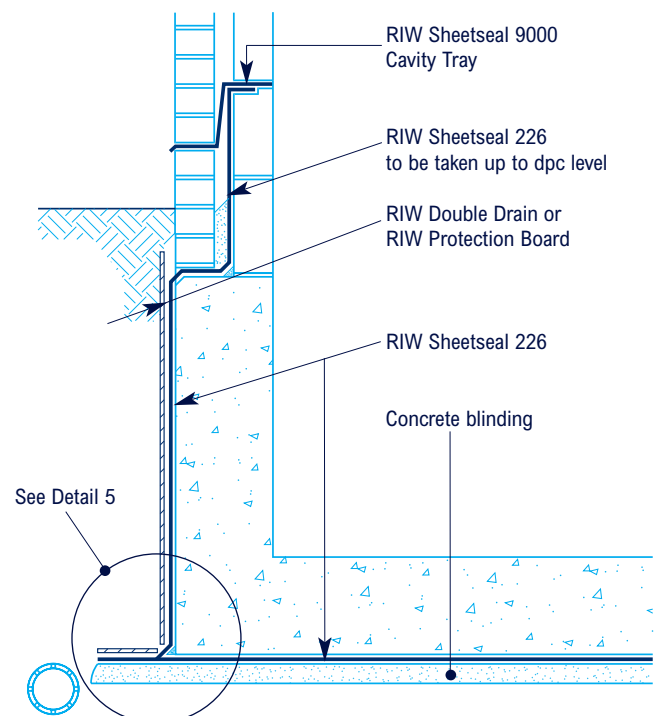
Service entries : Apply a starred patch around all pipe and service entries followed by a band of membrane to cover the points of the star, as illustrated in Detail 8 of this literature.

As an alternative RIW Flexiseal may be used to accommodate penetrations through the membrane. RIW Flexiseal should be applied to the pipe and onto the RIW Sheetseal 226 for a minimum of 150mm. Do not apply RIW Flexiseal primer onto Sheetseal. A separate data sheet is available for RIW Flexiseal.

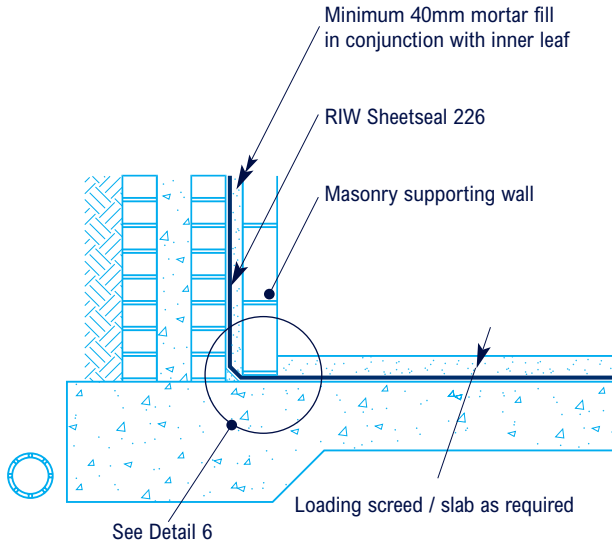
DETAIL 1 DPM TO GROUND FLOOR SLAB



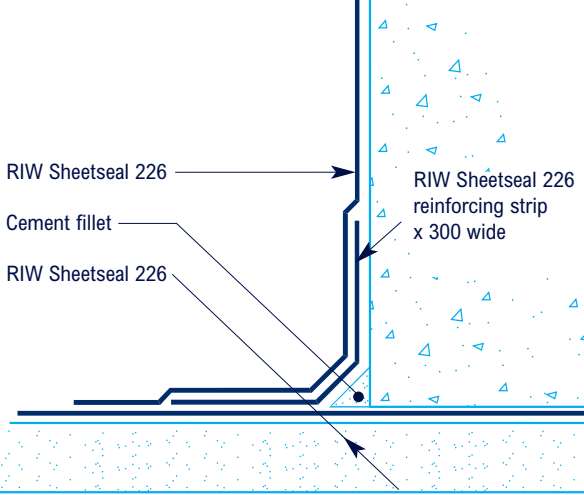
DETAIL 2 EXTERNAL TANKING TO STRUCTURAL CONCRETE



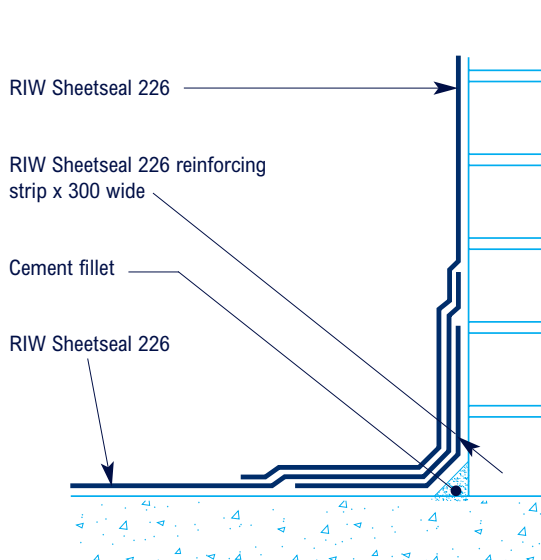
DETAIL 3
INTERNAL TANKING



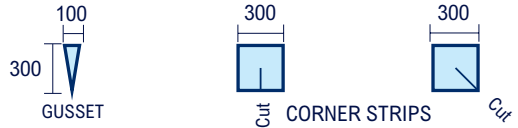
DETAIL 5
EXTERNAL TANKING ANGLE DETAIL (SEE DETAIL 2)



DETAIL 6
INTERNAL ANGLE DETAIL (SEE DETAIL 3)

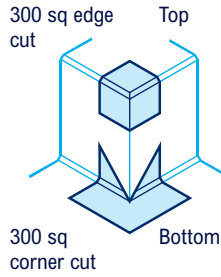


DETAIL 4
EXTERIOR CORNER DETAILS INTERIOR CORNER DETAILS

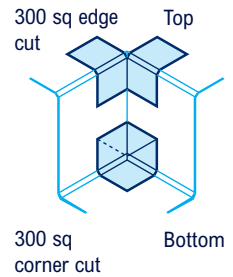


Note: Dimensions may vary slightly to suit concrete profile

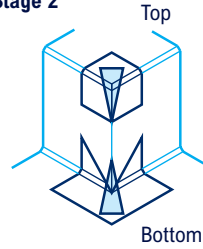
Stage 1



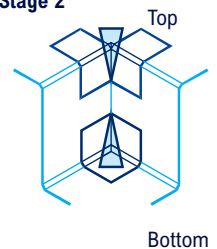
Stage 1



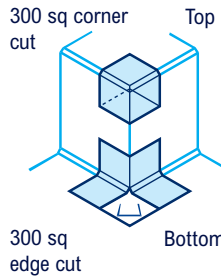
Stage 2



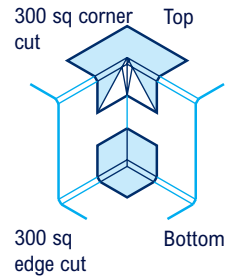
Stage 2



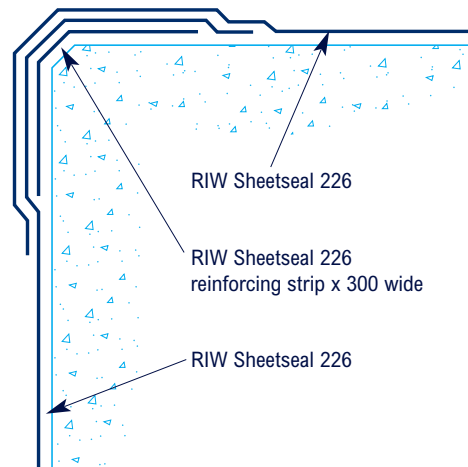
Stage 3



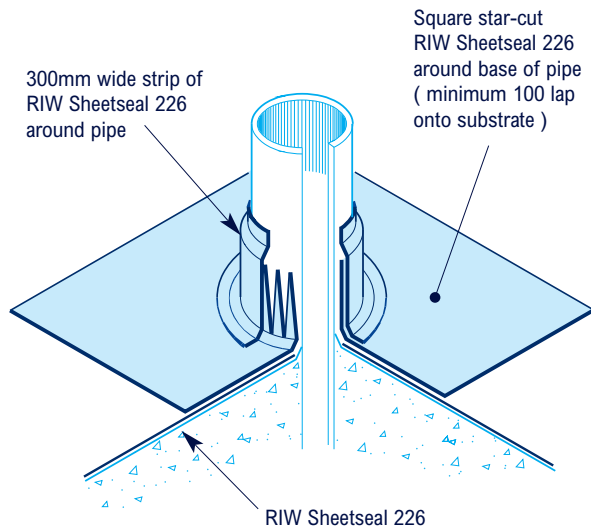
Stage 3



DETAIL 7
EXTERNAL ANGLE DETAIL



DETAIL 8 PIPE / SERVICE ENTRY DETAIL



SPECIFIC USES

Tanking : RIW Sheetseal 226 should always be fully supported, to resist hydrostatic pressure, when used for tanking.

External Tanking : Should be carried out as illustrated in Detail 2 of this literature. The horizontal membrane should be laid on a concrete blinding to project at least 200mm beyond the outer face of the structure. The base structural slabs and the walls should be formed, incorporating a fillet at the external base of the wall. The angle should then be treated, as illustrated in Detail 5 of this literature. The remainder of the vertical membrane should then be applied and protected from backfill material using RIW Double Drain or RIW Protection Board to suit.

Internal Tanking : Should be carried out as illustrated in Detail 3 of this literature. A loading coat of brick, block or concrete should be constructed immediately after the membrane has been placed.

If brickwork or blockwork is used a 40mm minimum cavity should be left between the membrane and the loading skin. This cavity must be filled with a sand / cement mortar fill as work proceeds.

Floating floor construction : RIW Sheetseal 226 can be used to provide a water and water vapour barrier under a floating floor system at ground floor level. When used under insulation the following guidelines should be followed :

- The insulation boards must be laid butt jointed, with corners and arrises kept intact to ensure overall loading of the membrane.
- The floor finish must not displace the insulation boards during laying.

SAFETY

RIW Sheetseal Primer is flammable and should be used in well-ventilated areas away from sources of ignition. The product can effect sensitive skins. Gloves or barrier cream should always be used by operatives and hands thoroughly washed at the end of each working period. Do not allow the product to enter watercourses. Full health and safety instructions are contained on the product material safety data sheets, and these must be referred to before use.

SUPPLY

AVAILABILITY

All RIW products can be obtained through Builders Merchants or approved stockists. A list of approved stockists is available from RIW Ltd's offices.

PACKAGING

RIW Sheetseal 226 :	1050mm x 19.05m long rolls. 300mm x 20m long rolls. 150mm x 20m long rolls.
RIW Sheetseal Primer :	5 and 25 litre containers

STORAGE

RIW Sheetseal 226 : There are no special requirements, but rolls should be kept upright, under cover and protected from extremes of temperature.

RIW Sheetseal Primer : There are no special requirements. The material may be stored in severe winter environments without any detrimental effect.

TECHNICAL SERVICES

The RIW Technical Department is available to advise on individual projects and to prepare or assist in the preparation of specifications and drawings. A list of experienced applicators of RIW materials is available from RIW Ltd's offices.



The information in this literature was correct at the time of going to press. However, we are committed to continually improving our products and reserve the right to change product specifications.

For the latest information, please consult RIW Limited. Conditions of use are beyond our control, therefore we can not warrant the results to be obtained.

RIW Limited

Arc House, Terrace Road South, Binfield, Bracknell, Berkshire RG42 4PZ

Technical enquiries tel: **01344 397777**

Commercial enquiries tel: **01344 397788**

www.riw.co.uk



Sheetseal 226