

## System 500

## NEWTON TITAN-PRO

## Pumping System for Newton CDM System

Rev 5.4 - 26 November 2018

PRODUCT CODE - TPW

## INTRODUCTION

The [Newton Titan-Pro](#) Packaged Sump System is designed specifically to be used with the [Newton CDM, Type C](#), internally applied, cavity drain waterproofing system.

The adjustable neck allows for the sump to be installed at a fixed height relative to the slab so that the connection in from the Newton drainage system and the pump discharge line are made above the concrete, and always at the same height relative to the slab or raft.

The sump can be used with single and twin pumps, and twin pumps with twin discharge lines for greater pump efficiency.

The unique sump shape, together with a choice of inlet and outlet positions, allow for connections in and out of the chamber to be made to either a side wall, or to a corner.

## BENEFITS

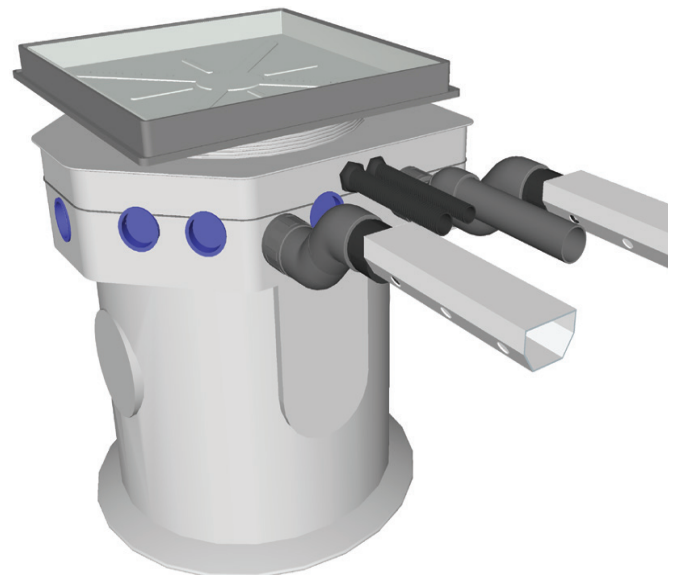
- Compatible with a large number of Newton NP and CP clean water pumps (see page 2)
- Fully built system includes all internal pipe and pipe fittings ready for 50 mm or 63 mm rising main
- One-way valve included for each pump
- Two quick release couplings per pump for easy installation and removal for servicing
- Adjustable neck ensures that the lid is always at the correct height, regardless of floor finishes
- Newton [PA50 High Water Level Alarm](#) included with pump and pipe kits (TP3 - TP47)
- Supplied with sealed and locked recessed lid. High end finish lids and frames are available as cost options (see page 4)
- Flat areas to side of chamber, ready for wall flanges to receive incoming 110 mm drainage pipes. Wall flanges are available as cost options (see page 4)
- Large foot to base of chamber to prevent flotation
- Anti-Drip system available for the inside of the chamber
- Wet-Install kit available that includes pressure release valves and tremie pipe for installations where water is entering the excavation

## TYPICAL APPLICATIONS

The Titan-Pro is specifically designed to be used with Newton System 500, our 'Type C' cavity drain waterproofing system.

## LIMITATIONS

- Not recommended for sewage or effluent. Please use [Newton Trojan](#) sewage lifting systems
- For large sewage chambers that require 24-hour storage, please contact our Technical Team



## ANCILLARIES

- Power failure protection for [CP250](#) pumps: [Newton Victron Inverter 12/800/35](#) - Newton Code BB1
- Power failure protection for [CP400](#) & [NP400](#) pumps: [Newton Victron Inverter 12/1200/50](#) - Newton Code BB2
- Power failure protection for [CP750](#) & [NP750](#) pumps: [Newton Victron Inverter 12/3000/120](#) - Newton Code BB3
- Newton Text and Speech [Dialer](#) that can send either text or voice messages to up-to five designated phones, should an alarm condition occur - Newton Code PA5
- Advanced pump control with the [Newton Control Panel-Pro](#) that features a weekly diagnosis of the pumps - Newton Code CP2
- Newton [Pump Controller](#) - Simple pump panel that also features a weekly diagnosis of the pumps - Newton Code CP9

# NEWTON TITAN-PRO

## Pumping System for Newton System 500

### PUMP OPTIONS

The Titan-Pro pumping system can be supplied with single or dual automatic or manual pumps, with single or dual pipe discharge lines. Please use the duty graph adjacent and the pump data sheet to confirm the required pump duty. When ordering, please confirm to the sales staff:

- Pump model
- Automatic pump or manual pump
- Number of pumps
- Number of pipe discharge lines

**Please note** that manual pumps must be matched to the Newton Pump Controller or Newton Control Panel-Pro.

Automatic pumps are supplied with Vertical Float Switches that allow for very flexible pump switching, allowing for adjustment of the ON & OFF positions of each pump, as well as the overall height of the pump switching.

Please see pump data sheets for further information.

Newton can supply the sump system as a whole or we can supply the sump chamber and the fittings required for sump installation, separate to the pumps and High Water Level Alarm. Please confirm your preference with the sales staff.

The internal pipe and fittings are included.

External pipe and fittings in either 50 mm or 63 mm can be ordered as required and this is confirmed on Page 4.

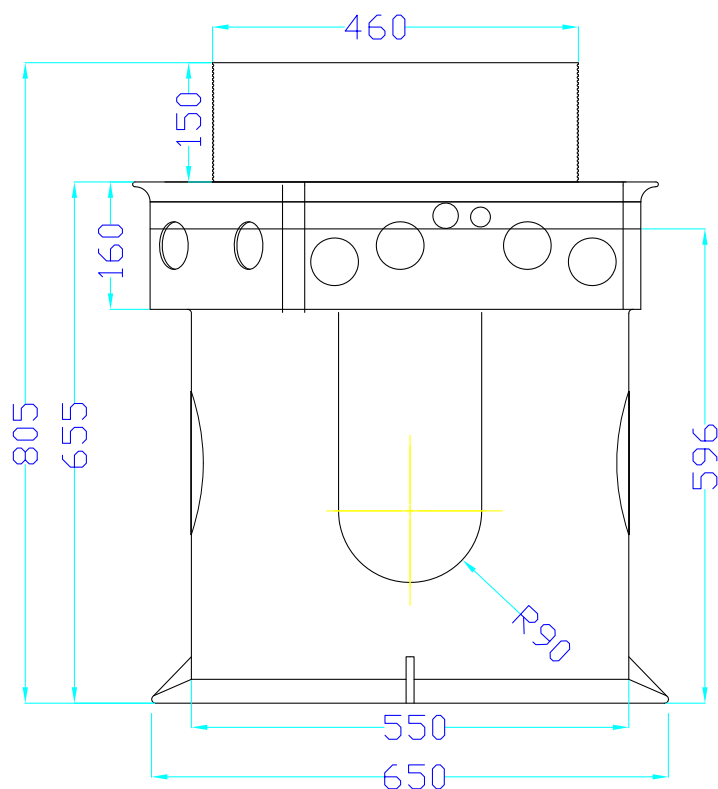
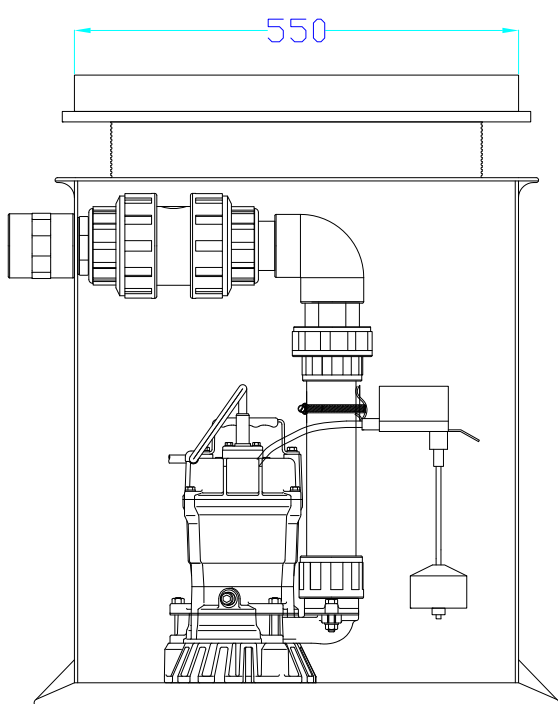
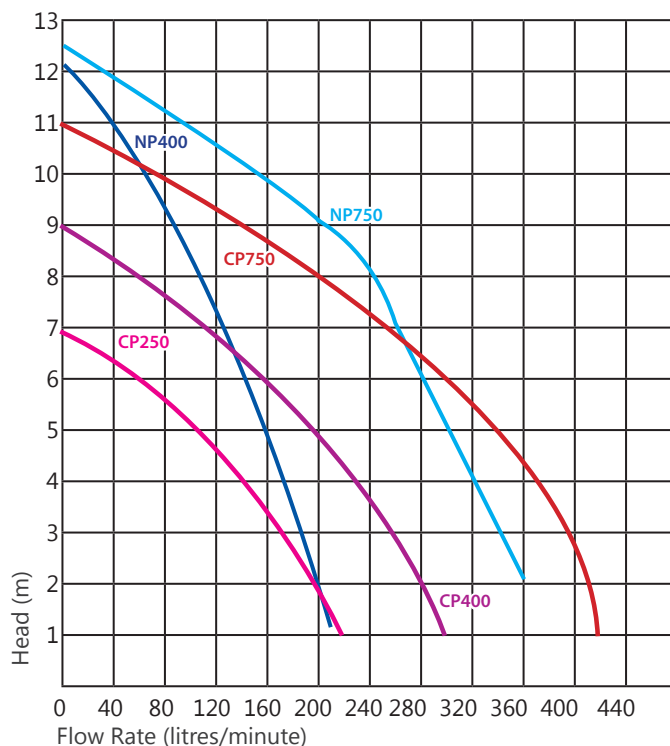
Newton **CP250** - Auto and Manual versions

Newton **CP400** - Auto and Manual versions

Newton **NP400** - Auto and Manual versions

Newton **CP750** - Auto and Manual versions

Newton **NP750** - Auto and Manual versions

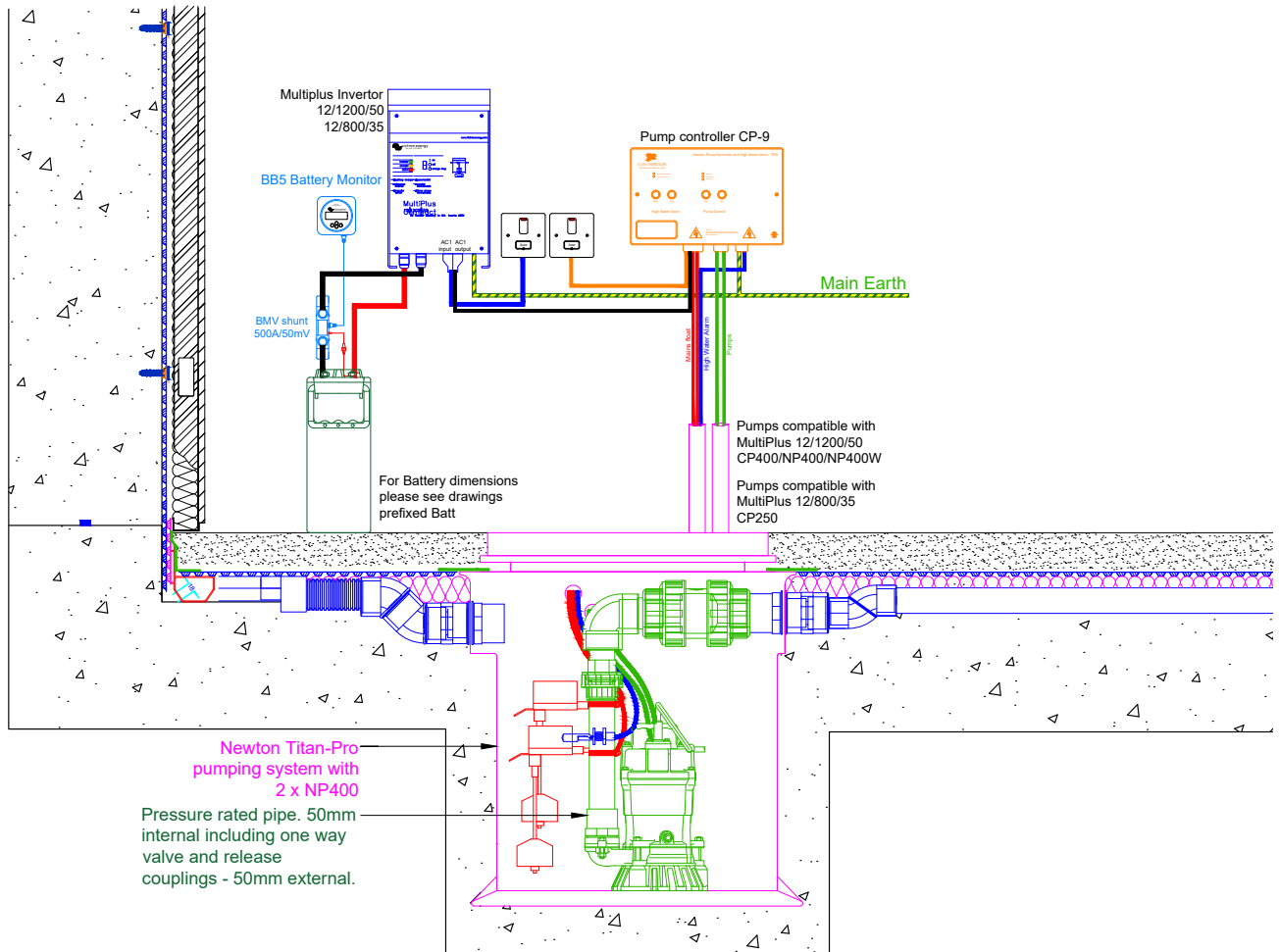


# NEWTON TITAN-PRO

## Pumping System for Newton System 500

### TYPICAL DETAIL

The detail below shows the Titan-Pro within a typical Newton System 500 cavity drain membrane waterproofing system. Also shown are the Newton Victron Power Inverter, which ensures continual pumping during a power outage, and the Newton CP2 Control Panel Pro control panel providing advanced telemetry and sequential pumping, as well as weekly diagnosis of the pumps.



### SPECIFICATION

Newton Waterproofing Systems are in partnership with RIBA NBS who publish details of our products and systems within their specification clause library to allow Architects ease of specification through their NBS Plus interface. NBS clauses can be accessed via the technical resources area of the web site where a live NBS Feed is available at [NBS Plus Live Feed](#)

Our website has a wide choice of downloadable [Technical Drawings](#), and a large selection are also available either via [FastrackCAD](#), or as BIM objects on the [National BIM Library](#) and/or [BIMObject.com](#)

### PRODUCT LIFE EXPECTANCY

The Titan-Pro chamber is made from robust HDPE and should provide, under normal service conditions, a chamber for the life of the building.

Please see the relevant data sheets for confirmation of the guarantees for the pumps and ancillaries used within the pumping system.

### INSTALLATION INSTRUCTIONS

Please refer to the Titan-Pro Operational Manual which is supplied in paper form with the product, or available from our [website](#).

### TRAINING AND COMPETENCY OF THE USER

Newton System 500 is BBA agrément certified, professional fit waterproofing system. A requirement of the agrément certificate is that the system is installed by a Newton NSBC contractor.

Newton NSBC contractors are trained by Newton Waterproofing Systems in the correct specification and installation of Newton waterproofing products and will provide the client with a meaningful insurance backed guarantee for the waterproofing system.

Newton NSBC contractors are able to fulfil the role of Waterproofing Design specialist as defined by BS 8102:2009 and will ensure that a coordinated waterproofing strategy is employed for all aspects of the waterproofing scheme.

# NEWTON TITAN-PRO

## Pumping System for Newton System 500

### OPTIONS

The Titan-Pro is designed to be used with the Newton System 500 waterproofing system and receives water from the drainage system of System 500. You will need [Newton Basedrain](#) (Product Code D1) and [Newton Floordrain](#) (Product Code D3) to connect this sump pump system to the Newton System 500 waterproofing system. **Please note: If 63 mm pipe is to be used for the discharge line(s), this must be confirmed at order as the standard build is supplied with 50 mm connections for 50 mm pipe only.**

A number of ancillaries are available for use with the Titan-Pro:

ITEM	Product Code
<b><i>uPVC Pressure Rated Discharge Pipe</i></b>	
50 mm Pipe - 2.5m lengths	PP1
50 mm 90 degree elbows	PP2
50 mm 45 degree elbows	PP3
50 mm female-female sockets	PP4
50 mm Tee	PP5
50 mm wall mount clips	PP6
1½" BSP to 50 mm Hosetail	PP28
1½" BSP to 50 mm Socket	PP43
63 mm Pipe - 2.5m lengths	PP10
63 mm 90 degree elbows	PP11
63 mm 45 degree elbows	PP12
63 mm female-female sockets	PP13
63 mm Tee	PP14
63 mm wall mount clips	PP15
uPVC Solvent-on Wet 'R Dry - 240ml	G2
uPVC Pipe Primer - 473ml	G3
<b><i>Alternative Frame and Lid</i></b>	
Galvanised steel frame recessed lid – 600 mm x 600 mm with 450 x 450 mm opening	TPSL2
Stainless steel edged recessed lid – 600 mm x 600 mm with 450 x 450 mm opening	TPSL3
Brass edged recessed lid – 600 mm x 600 mm with 450 x 450 mm opening	TPSL4
Alulite triple-sealed recessed lid – 600 mm x 600 mm with 450 x 450 mm opening	TPSL7
<b><i>General Options</i></b>	
Anti-Drip Kit - extends the two drainage inlets to the bottom of the sump to prevent dripping noises - NOTE: Not suitable for corner installation	TPK1
Wet Install Kit - Includes three shut off valves	TPK6
Wall flange for 63 mm inlet	TP01
Wall flange for 110 mm inlet	TP02
Hole Cutter for 110 mm wall flange	PA34
Arbor for hole cutter	PA33

Newton Waterproofing Systems reserve the right to update product literature at any time. Please always refer to our [website](#) for the latest versions.